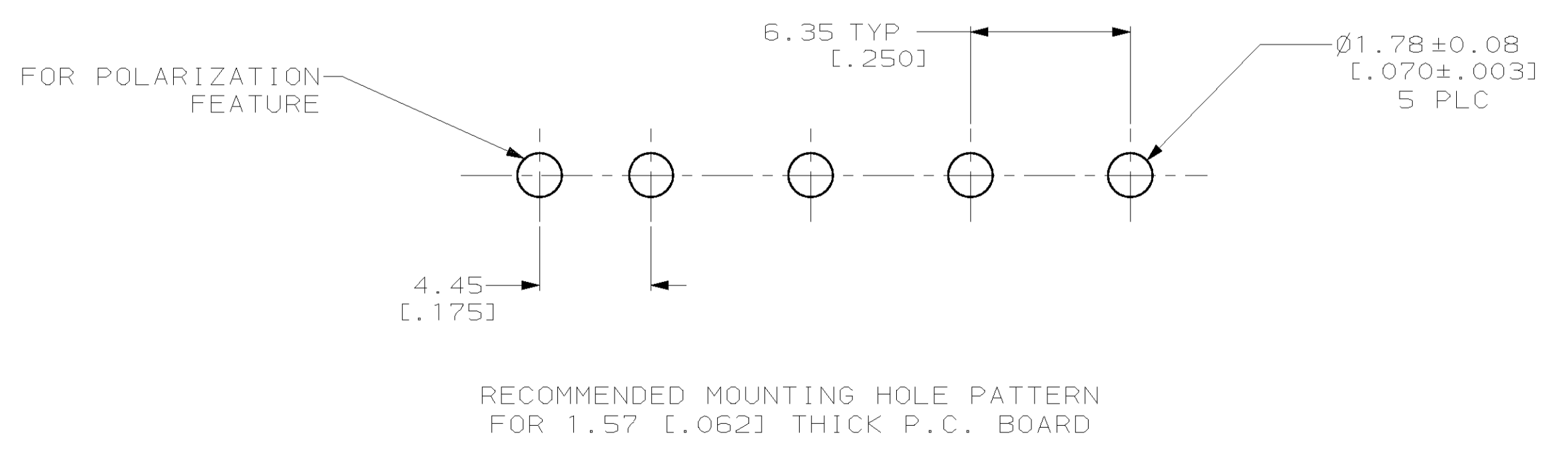
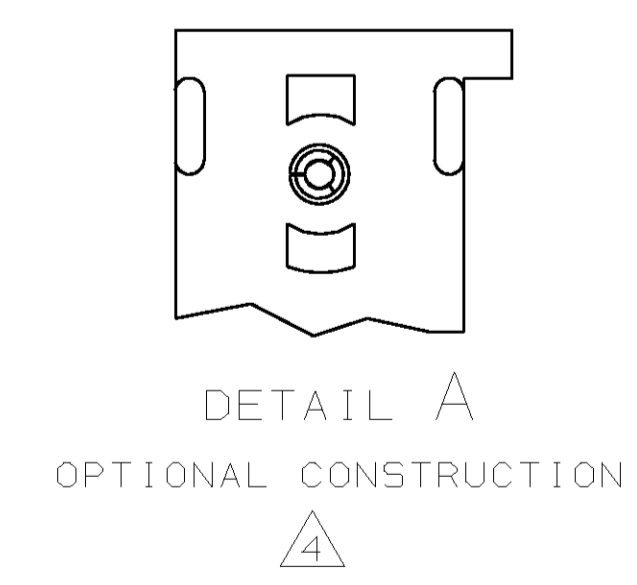
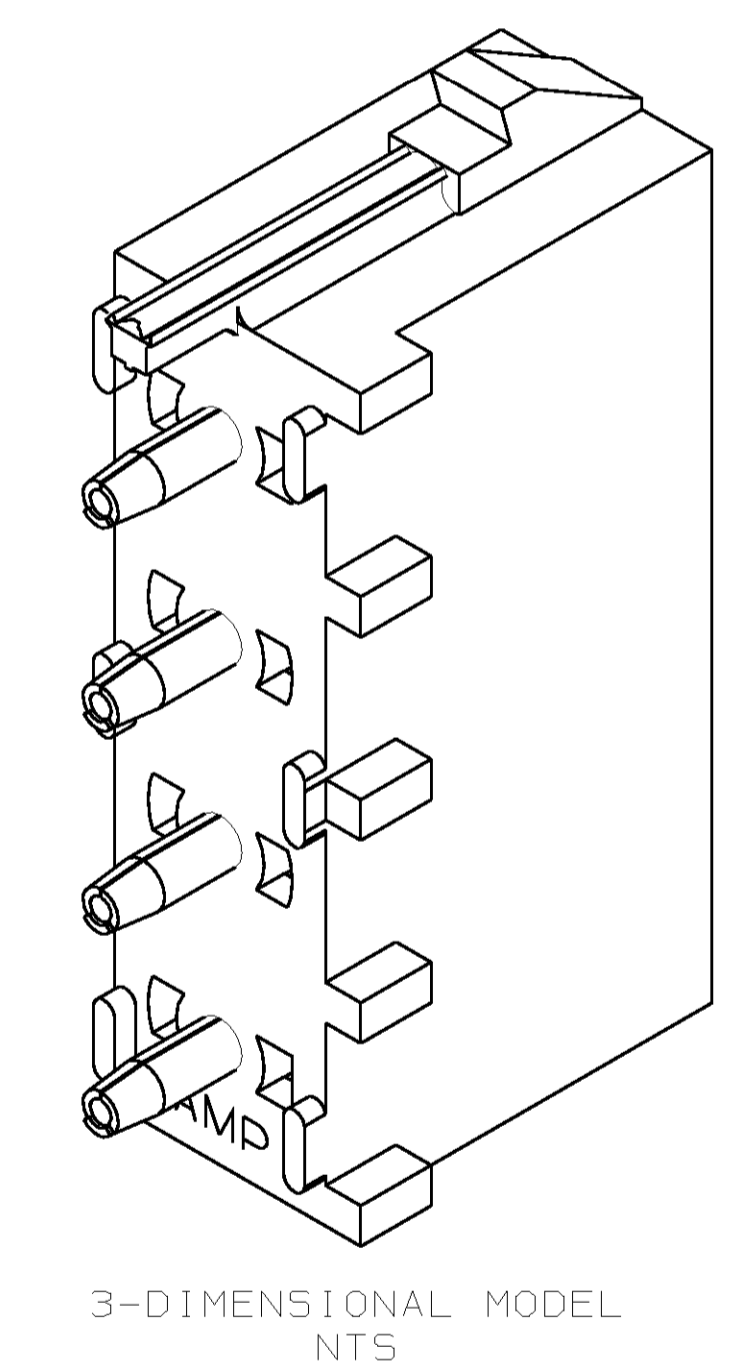
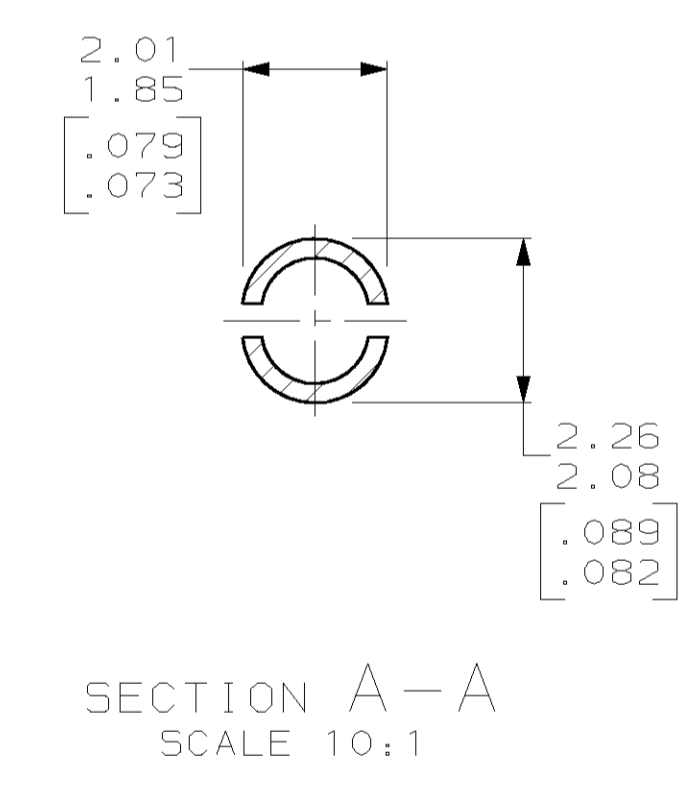
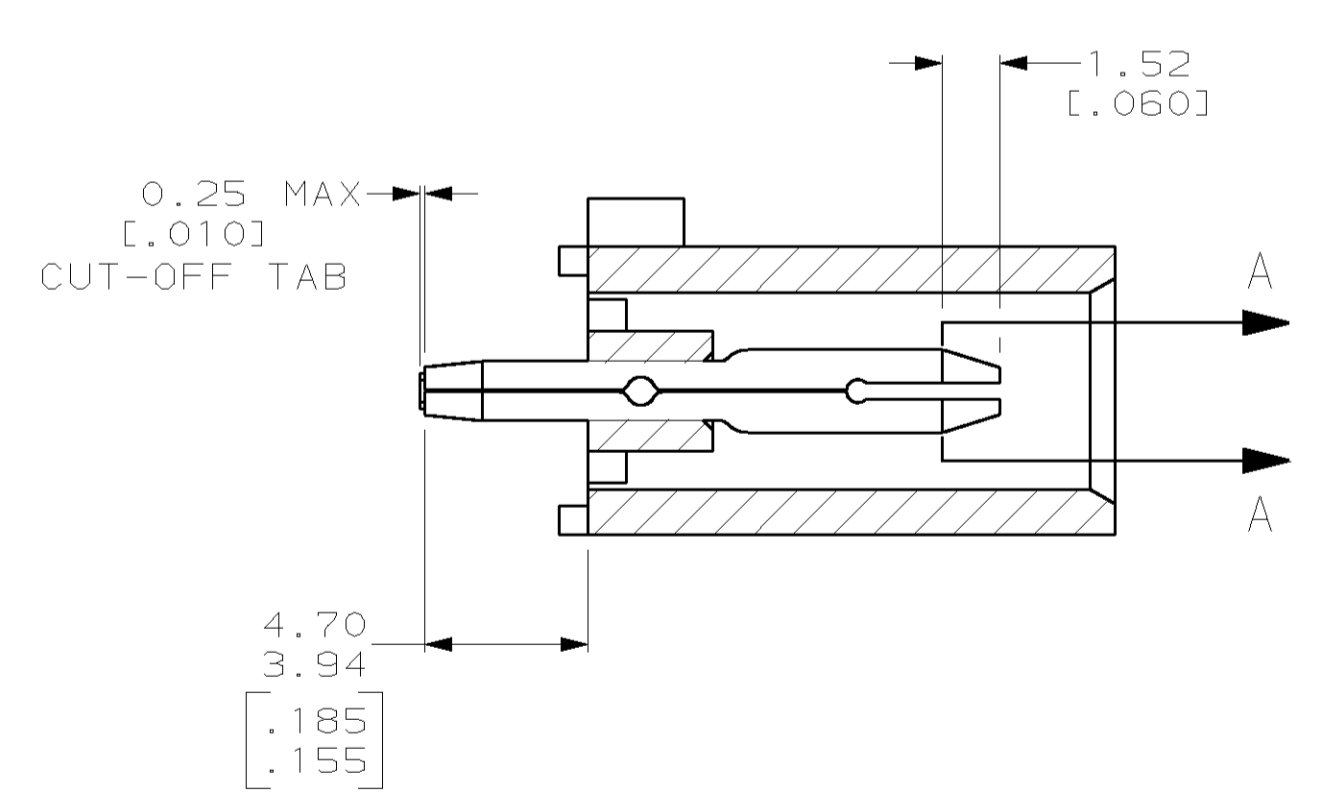
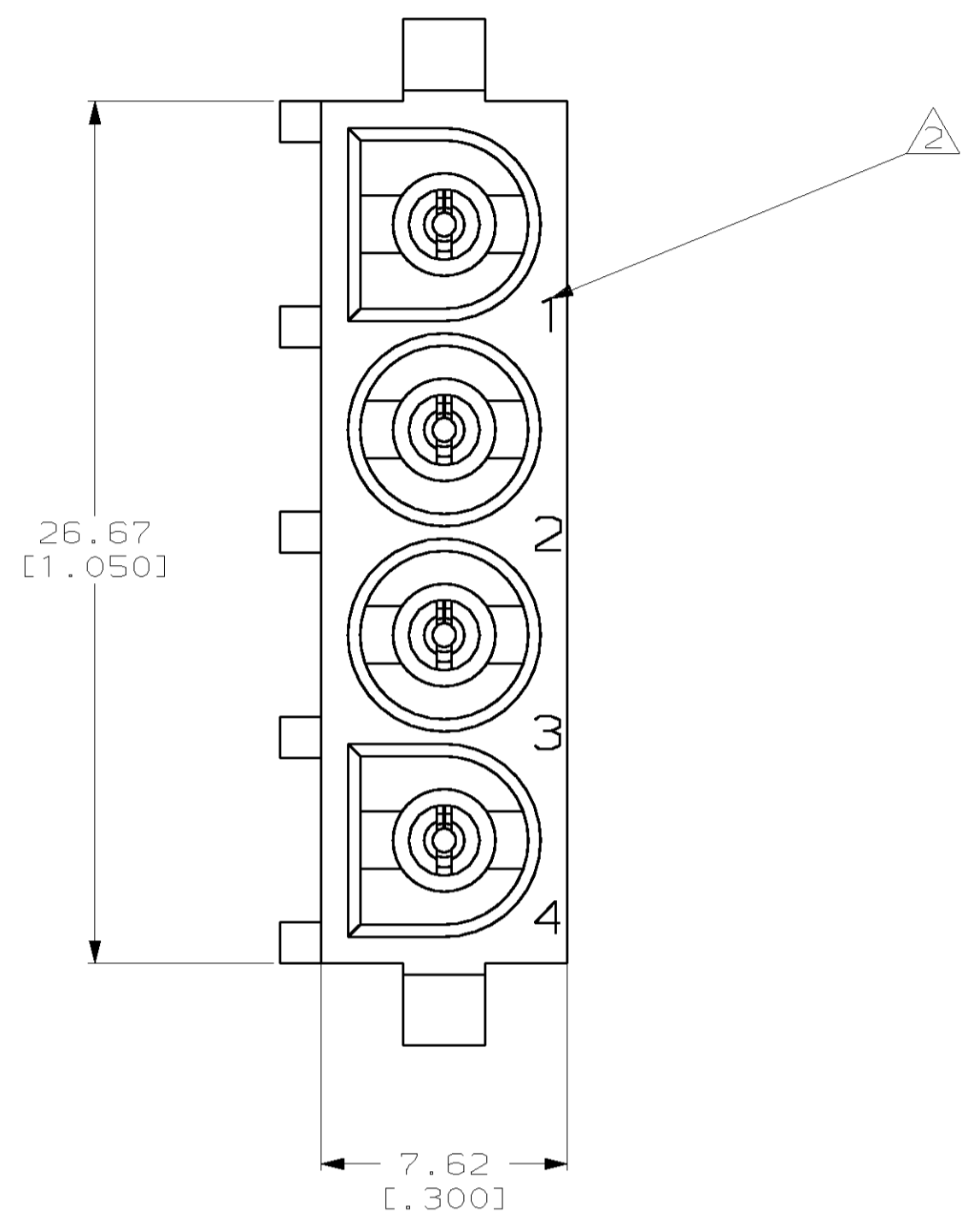
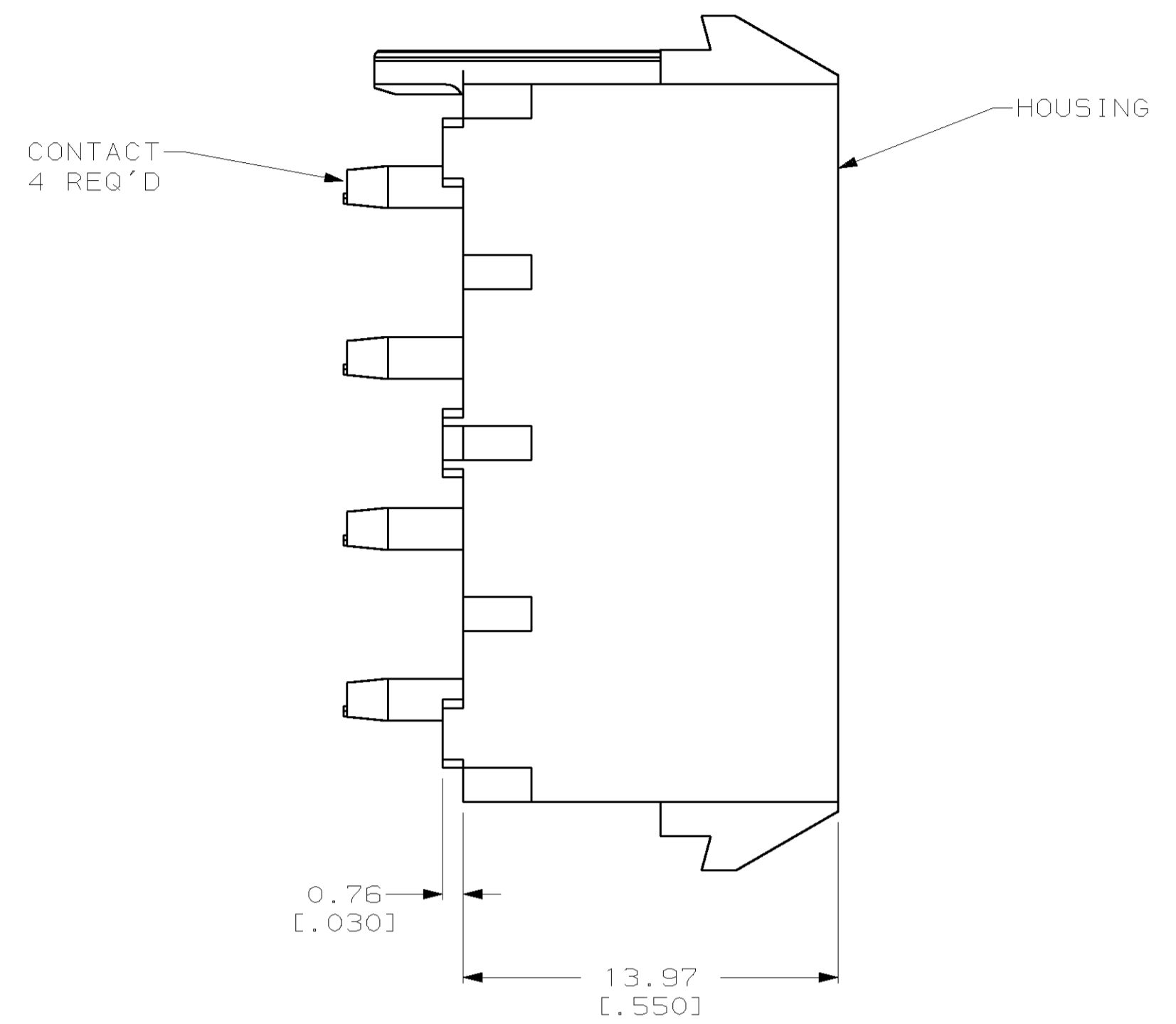
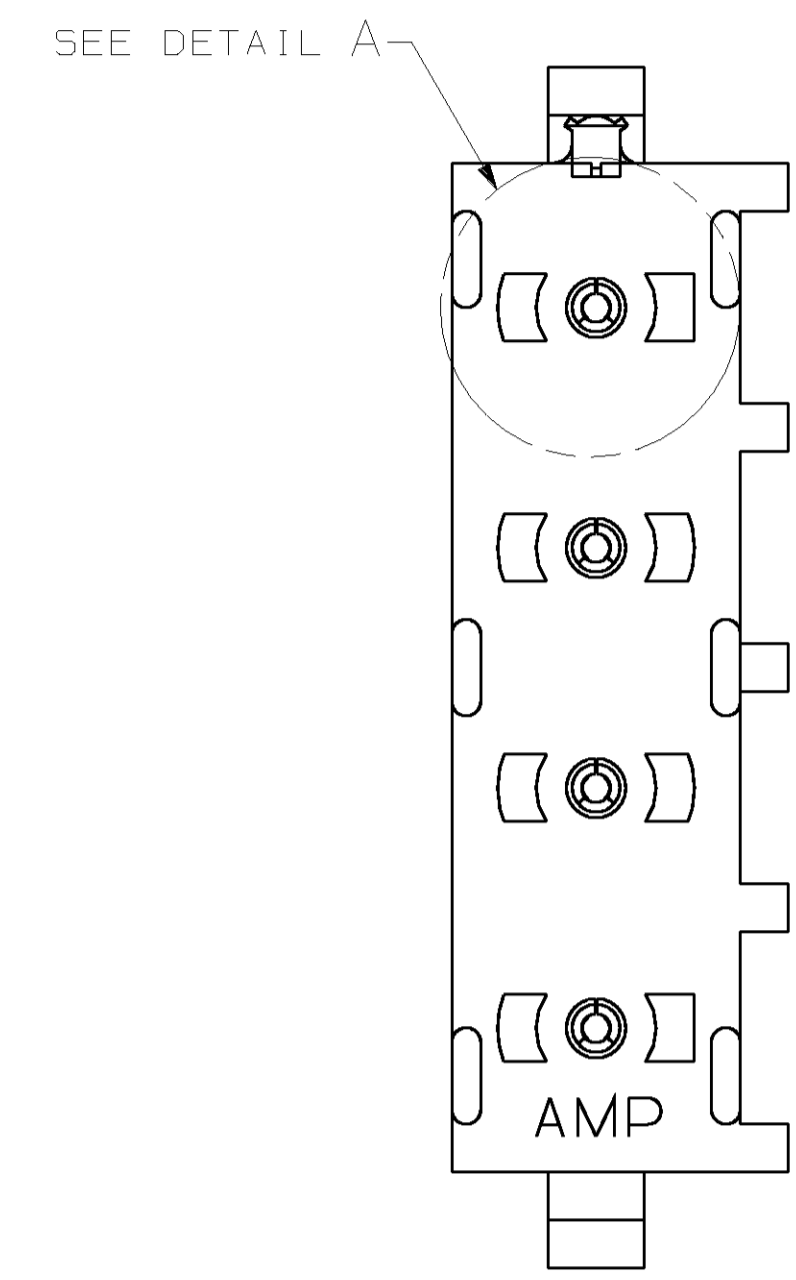


LOC	DIST	REVISIONS			
F	CHR	DESCRIPTION	DATE	OWN	APVD
M		REVISED PER EC 063B-0300-00	23-JUN-00	LM	KC

- PARTS COMPLY TO AMP SOLDERABILITY SPECIFICATION 109-11-3.
- CIRCUIT IDENTIFICATION CHARACTERS ARE ADJACENT TO THE INDICATED CAVITIES, BUT LOCATION AND ORIENTATION MAY DIFFER FROM PRINT.
- DIMENSIONS IN BRACKETS ARE IN INCHES.
- DRAIN HOLES LOCATED AS SHOWN. OPTIONAL CONSTRUCTION- ALL DRAIN HOLES LOCATED 90° AS SHOWN IN DETAIL A.



PHOSPHOR BRONZE, PRE-TIN PIN CONTACT MATERIAL AND FINISH	NYLON, UL94V-2, NATURAL HOUSING MATERIAL	641967-1 PART NO
THIS DRAWING IS A CONTROLLED DOCUMENT.		AMP Incorporated Harrisburg, PA 17105-3608
DIMENSIONS: mm (INCHES)	TOLERANCES UNLESS OTHERWISE SPECIFIED:	NAME PIN HEADER ASSEMBLY, POLARIZED, 4 CIRCUIT, UNIVERSAL MATE-N-LOK™
0 PLC ±	0 PLC ±	SIZE A1
1 PLC ±	1 PLC ±	CAGE CODE 00779
2 PLC ±0.13 [.005]	2 PLC ±	DRAWING NO 641967
3 PLC ±	3 PLC ±	SCALE 5:1
4 PLC ±	4 PLC ±	SHEET 1 OF 1
ANGLES 40°-90°	FINISH SEE TABLE	REV M
MATERIAL SEE TABLE	WEIGHT -	CUSTOMER DRAWING

